



Highway-Class Pavers RP-190/195

ENGINE

RP-190/195e: Tier 4F, Cummins® QSB6.7 230 hp (172 kW) @ 1,900 rpm
RP-190/195ex: Tier 3; Cummins® QSB6.7 230 hp (172 kW) @ 1,800 rpm*

* ex machines for lesser regulated countries

SHIPPING WEIGHT

RP-190: 36,700 lbs (16,646 kg)

RP-195: 39,220 lbs (17,789 kg)

SPECIFICATIONS

ENGINE

- RP-190/195e: Tier 4F, Cummins® QSB6.7 230 hp (172 kW) @ 1,900 rpm
- RP-190/195ex: Tier 3; Cummins® QSB6.7 230 hp (172 kW) @ 1,800 rpm*

*ex machines for lesser regulated countries

WEIGHTS

- RP-190: 36,700 lbs (16,646 kg)
- RP-195: 39,220 lbs (17,789 kg)

CHASSIS

- .75" (19 mm) thick continuous side sheets
- RP-190: 2" (51 mm) thick front cross frame member
- RP-195: 2" (51 mm) thick front cross frame member

ELECTRICAL SYSTEM

- Two 4D batteries & 95 amp alternator
- 24v system with master disconnect switch and remote diagnostics via Roadtec Guardian™ Remote Telematics System
- Electric-over-hydraulic solenoids with manual override.

COOLING SYSTEM

- Low noise, variable speed, hydraulically driven fan.

PROPEL SYSTEM

- Variable-displacement hydraulic pumps
- Two-speed hydraulic motor. Direct hydraulic, single speed planetary final drives.
- Hydraulic steering wheel control (RP-190)
- Single joystick control (RP-195)

TIRES - RP-190

- (2) hydro rated high rotation 18:00-25 sand rib drive tires
- Dual 14" (356 mm) x 22" (559 mm) front bogies

TRACKS - RP-195

- 18" (457 mm) wide, smooth tread rubber track.

FUME EXTRACTION SYSTEM

- Clearview FXS® fume extraction system. Clear view to the front and of the augers.

BRAKE SYSTEM

- Hydrodynamic brakes and parking brake

SPEED

- Paving speed:
 - 190e: 0-284 fpm (86 m/min)
 - 195e: 0-215 fpm (66 m/min)
- Travel speed: 0-12 mph (19 k/hr)
 - 190e: 0-12 mph (19 k/hr)
 - 195e: 0-7.5 (12 k/hr)

OPERATOR STATIONS

- Hydraulic swing Comfort Drive™ operator stations. Operator stations can rotate out past edge of machine for increased visibility. Controls move with seat.
- Armrest Comfort Drive™ finger tip paver function control.

FRONT HOPPER CAPACITY

- 13.8 ton (12.5 mt) / 252 ft³ (7.1 m³) . Does not include tunnels.

FEED SYSTEM

- Independently driven, variable-speed feeder conveyors
- 650 BHN center chromium carbide clad conveyor plates. Bolt free design. Sonic feeder control system
- Cast, 16" (406 mm) dia., 0.75" (19 mm) thick, ni-hard augers. Hydraulically raise, lower and tilt auger assembly.
- Electric flow gates for easy control of head of material

SERVICE CAPACITIES

- Fuel Tank 100 gal (379 l)
- Hydraulic Fluid Tank..... 76 gal (288 l)
- Cooling System..... 9 gal (34 l)
- DEF 5 gal (18.9 l)

NON-CONTACTING SCREED AUTOMATION

- TOPCON® sonic grade & slope control.
- MOBA® sonic grade & slope control.
- TOPCON® sonic averaging ski with hardware.
- MOBA® sonic averaging ski with hardware.

TRACTOR

- Front wheel assist (optional)
- Hydraulic tunnel extensions (optional RP-190)

SCREEDS

ROADTEC S-10

- Standard, extendable-width 10' (3,048 mm) electrically-heated, vibratory screed. 32" (813 mm) long screed plate.
- Paves up to 30' (9,144 mm) wide with extensions.

CARLSON EZIII-10

- Front extendable 10' (3,048 mm), electrically heated, vibratory screed. 26" (660 mm) long screed plate.
- Paves up to 17' (5,182 mm) wide

CARLSON EZIV-10

- Front extendable 10' (3,048 mm), electrically heated, vibratory screed. 26" (660 mm) long screed plate.
- Paves up to 19' (5,182 mm) wide

CARLSON EZ-R2-10

- Rear extendable 10' (3,048 mm) electrically heated, vibratory screed. 20" (508 mm) long screed plate.
- Paves up to 19'-6" (5,944 mm) wide.

ROADTEC EAGLE® 10

- Rear extendable 10' (3,048 mm) electrically-heated, vibratory screed. 20" (508 mm) long "u" shaped, reversible, screed plate.
- Paves up to 19'-6" (5,944 mm) wide

ALL SCREEDS

- 0.5" (12.7 mm) thick 400 Brinell® wearing surface.
- Thermostat controlled electric heat with 34 kW generator
- Standard outlets for additional lighting and accessories

SCREED OPTIONS

HYDRAULIC SCREED ASSIST PACKAGE

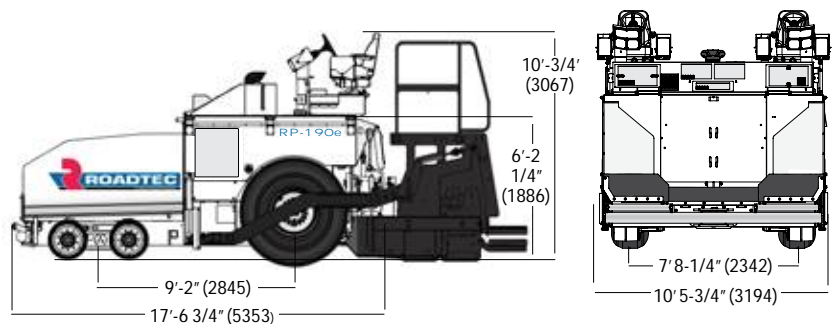
- For Eagle® screed. Constant up pressure on screed while in pave mode (forward and neutral).

HYDRAULIC SCREED BOOST PACKAGE

- Pressurizes screed lift cylinders when paver is stopped in neutral to prevent depression in mat. Adjustable lifting pressure. Adjustable time for pressure release with forward motion (0-10 seconds).

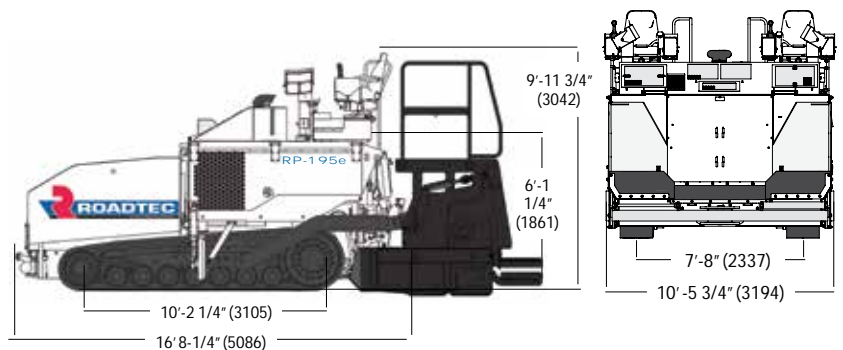
RP-190 (APPROXIMATELY)

TRACTOR ONLY	36,700 lbs (16,646 kg) / 17'-6-3/4" (5353)
S-10	6,200 lbs (2,812 kg) / 22'-5 5/16" (6840)
CARLSON EZIII-10	6,100 lbs (2,770 kg) / 22'-7 15/16 (6907)
CARLSON EZIV-10	7,200 lbs (3,270 kg) / 22'-7 7/8" (6906)
EAGLE 10	8,200 lbs (3,720 kg) / 22'-9 3/8" (6944)



RP-195 (APPROXIMATELY)

TRACTOR ONLY	39,200 lbs (17,789 kg) / 16'-8 1/4" (5086)
S-10	6,200 lbs (2,812 kg) / 21'-11 5/16" (6688)
CARLSON EZIII-10	6,100 lbs (2,770 kg) / 21'-4 3/4" (6522)
CARLSON EZIV-10	7,200 lbs (3,270 kg) / 21'-10 1/2" (6668)
EAGLE 10	8,200 lbs (3,720 kg) / 22'-6 7/16" (6869)



Dimensions in brackets are mm.

Specifications are subject to change without notice.