

# DYNAPAC CC 422 VIBRATORY TANDEM ROLLER



SVEDALA



# Technical data CC 422

## Weights (lb)

Max. operating weight _____	24,640
Operating weight _____	23,020
Module weight, front/rear _____	11,360/11,660

## Traction

Speed range (mph) _____	0 - 7
Vertical oscillation (") _____	±8
Steering angle (°) _____	±32
Theor. gradeability (%) _____	42

## Compaction

Static linear load, front/rear (pl) _____	172/177
Nominal amplitude, high/low (inches) _____	0.032/0.016
Vibration frequency, @ high/low amplitude (vpm) _____	2,940
Centrifugal force per drum, @ high/low amplitude (lb) _____	28,800/14,400
Water tank (gals) _____	128 each tank

## Engine

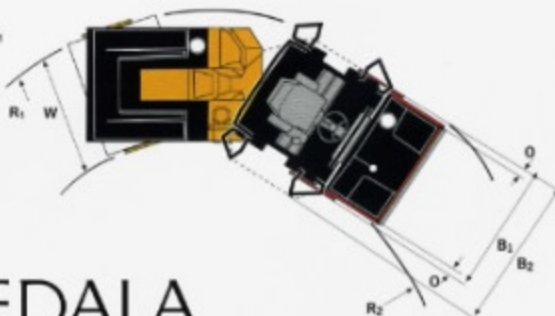
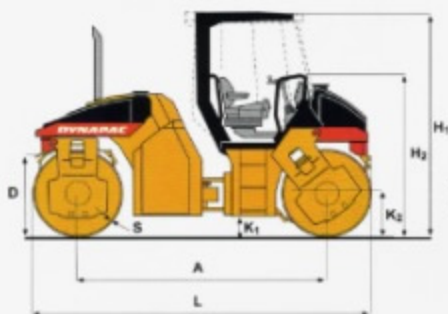
Model _____	Cummins 4BTA 3.9
Type _____	Water cooled Diesel
Rated power, SAE, @ 2200 rpm (hp) _____	119
Fuel tank capacity (gals) _____	61

## Hydraulic system

Driving _____	Axial piston pump with variable displacement.
	Radial piston motors (2) with constant displacement.
Vibration _____	Axial piston pump with variable displacement
	Axial piston motors (2) with constant displacement.
Steering _____	Gear pump with constant displacement.
Service brake _____	Hydrostatic in F/R lever.
Parking/	
Emergency brake _____	Failsafe multidisc on both drums.

## Dimensions (inches)

A _____	144
B <sub>1</sub> _____	71
B <sub>2</sub> _____	80
D _____	51
H <sub>1</sub> _____	117
H <sub>2</sub> _____	85
K <sub>1</sub> _____	12
K <sub>2</sub> _____	27/34
L _____	195
O _____	2.4
R <sub>1</sub> : With Off-set drums _____	212
R <sub>1</sub> : Without Off-set drums _____	125
R <sub>2</sub> : Without Off-set drums _____	284
R <sub>2</sub> : With Off-set drums _____	218
S : Nominal _____	0.71
W _____	66



# SVEDALA

