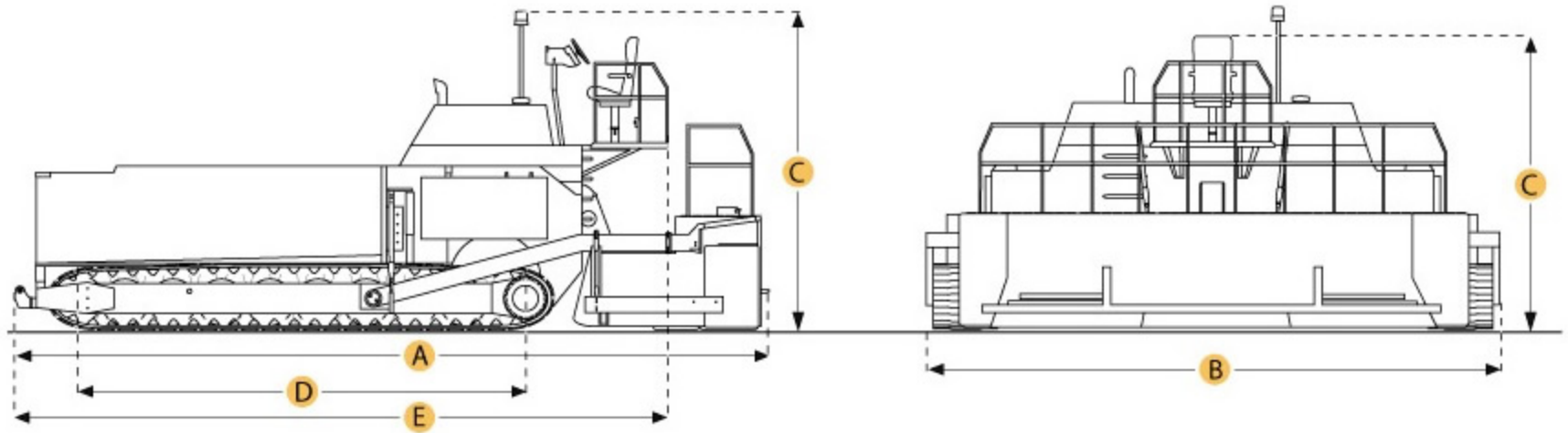


# CATERPILLAR BG2455C



## Selected Dimensions

### Dimensions

A. LENGTH W/ SCREED	21.6 ft in	6579 mm
B. TRANSPORT WIDTH	10 ft in	3048 mm
C. TRANSPORT HEIGHT	9.1 ft in	2769 mm
D. LENGTH OF TRACK ON GROUND	8.9 ft in	2718 mm

## Specification

### Engine

MAKE	Caterpillar	
MODEL	3116TA	
GROSS POWER	174 hp	129.8 kw
POWER MEASURED @	2200 rpm	
DISPLACEMENT	402.8 cu in	6.6 L
NUMBER OF CYLINDERS	6	

### Operational

OPERATING WEIGHT W/O SCREED	35501 lb	16103 kg
FUEL CAPACITY	75 gal	284 L
HYDRAULIC SYSTEM FLUID CAPACITY	40 gal	151.4 L
COOLING SYSTEM FLUID CAPACITY	8.3 gal	31.5 L

### Hopper/Paver

HOPPER CAPACITY	8 yd <sup>3</sup>	6.1 m <sup>3</sup>
PAVING WIDTH - STD	8 ft in	2438 mm
PAVING WIDTH - MAX	30 ft in	9144 mm
PAVING SPEED - MAX	200.1 ft/min	61 m/min
TRAVEL SPEED - MAX	9.3 mph	14.9 km/h
AUGER DIAMETER	16 in	406 mm

### Dimensions

LENGTH W/ SCREED	21.6 ft in	6579 mm
TRANSPORT WIDTH	10 ft in	3048 mm
TRANSPORT HEIGHT	9.1 ft in	2769 mm
LENGTH OF TRACK ON GROUND	8.9 ft in	2718 mm
TRACK WIDTH	18 in	457 mm

